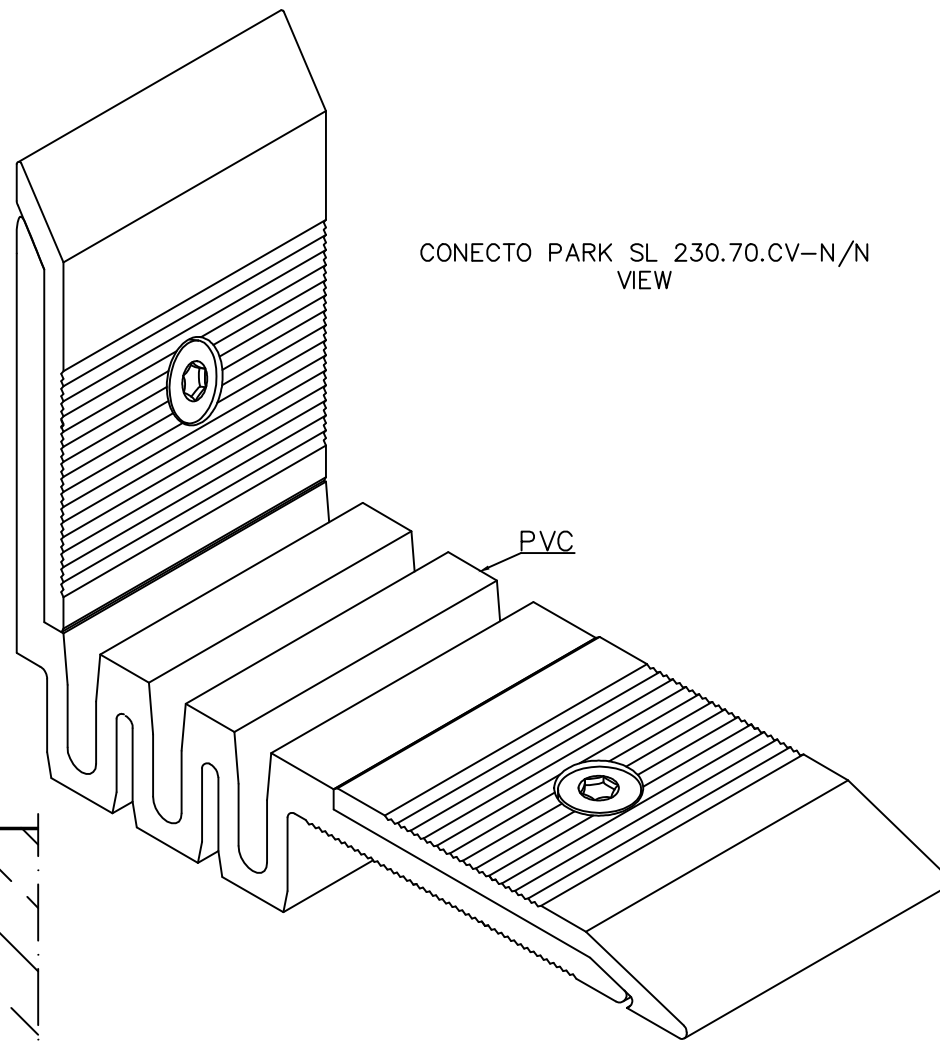
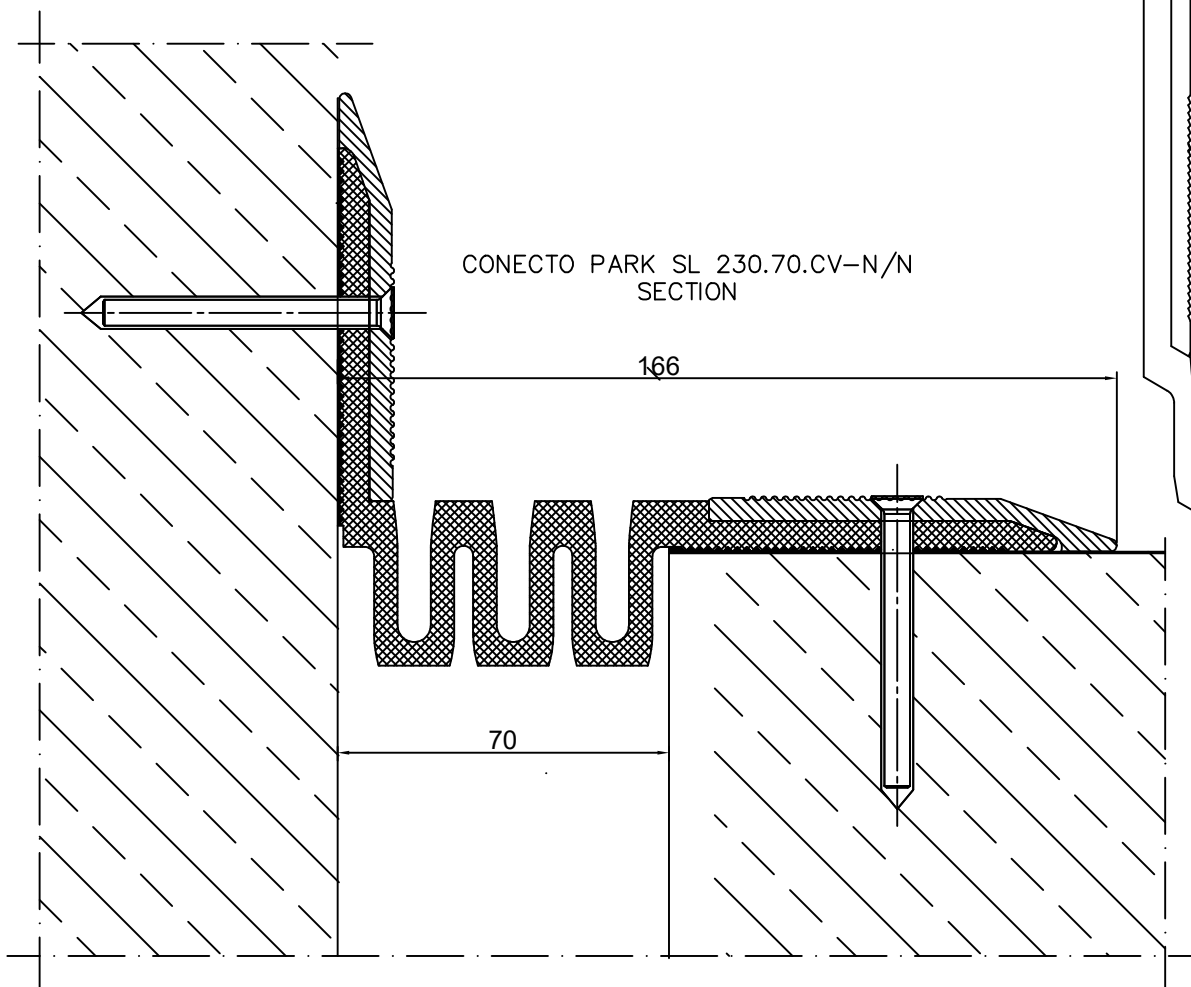



INFORMATION TABLE

| Profile type | Visible element [mm] | Joint width [mm] | Method of installation | Installation height [mm] | Material type | Maximum load [KN] | Horizontal/Vertical compensation [mm] |
|------------------|----------------------|------------------|------------------------|--------------------------|---------------|-------------------|---------------------------------------|
| SL 230.70.CV-N/N | 166 | 70 | wall-mounted | 10 | Aluminum, PVC | 300 | 90(±45) 40(±20) |



| | | | | | | | | |
|--|----------------------|---|--|--------------------------|---------------------|-----------------|---|--|
| <p>Conecto Park SL 230.70.CV-N/N</p> | | | <p>Conecto Profiles Sp. z o.o. ul. Przemysłowa 39 61-541 Poznań www.conecto-profiles.com</p> | | | |  | |
| | | | PROJEKT PROJECT | ZŁOŻENIE SUB ASSEMBLY | RYSLINEK DRAWING | ARKUSZ SHEET | | |
| ROZMIAR / SIZE A3 | SKALA / SCALE 1:1 | Wszystkie wymiary podano w [mm] All dimensions in [mm] | | -- | -- | 01 | 1 Z DF 1 | |